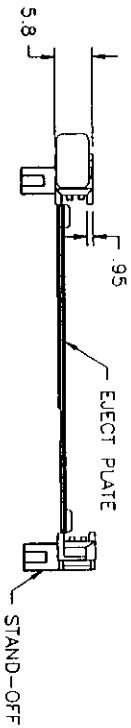
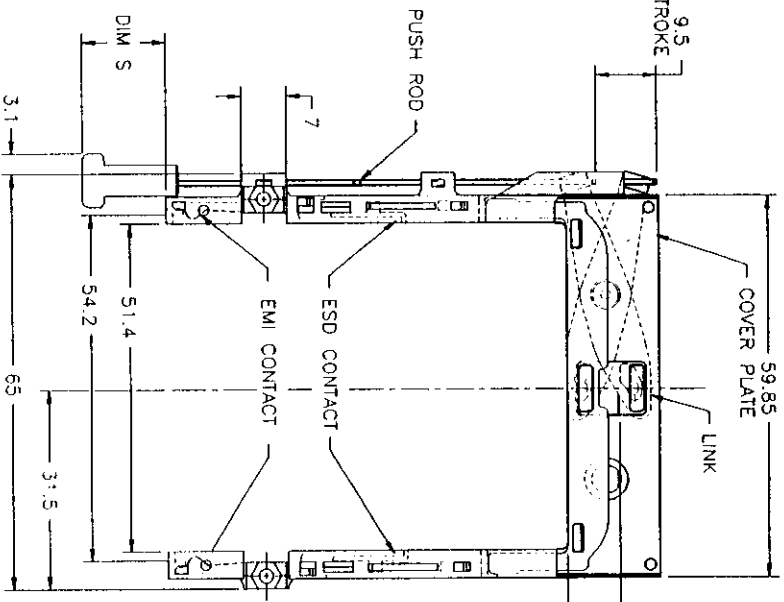
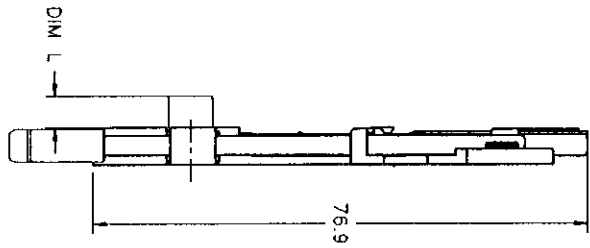


PRODUCT NO.	DIM L	DIM S
71245-10CA	0	
71245-12CA	2.2	13
71245-14CA	4.3	
71245-15CA	5	



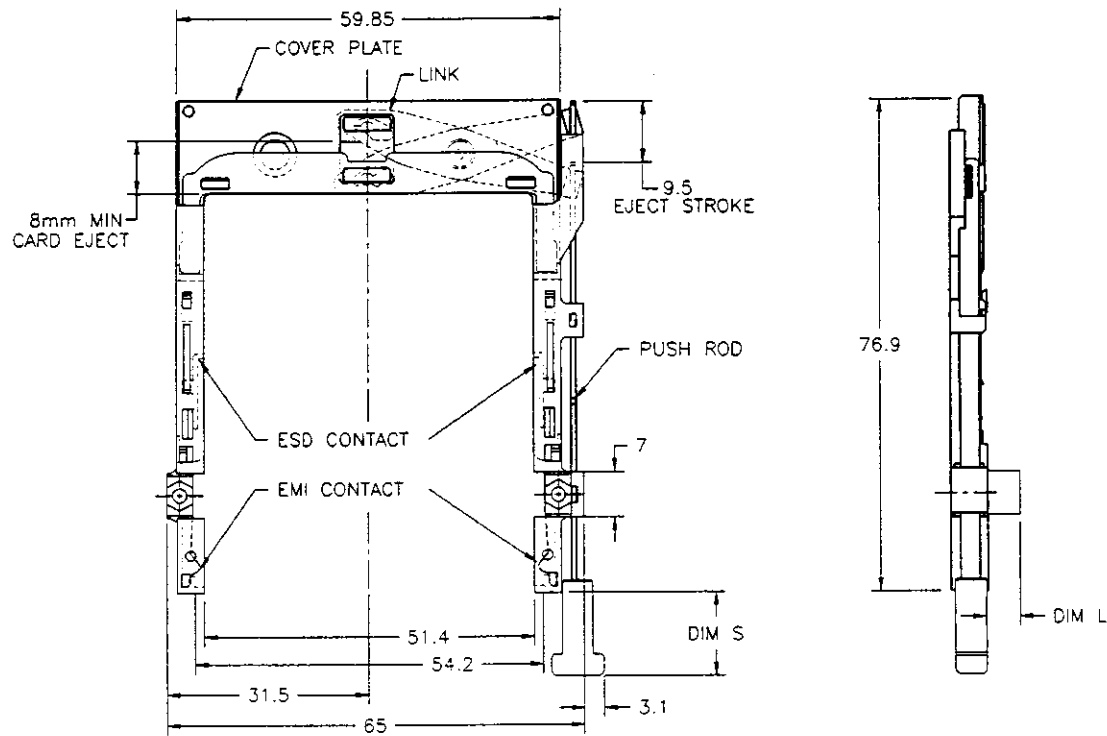
NOTES:

- EJECT PLATE TO MOVE ALONG INSIDE WALL OF COVER PLATE SMOOTHLY AFTER ASSEMBLING WITH HEADER.
- MATERIAL:**
 PLASTIC GUIDES: POLYPHTHARAMIDE UL94V-0
 COLOR: BLACK
 COVER PLATE: STAINLESS STEEL
 EMC CONTACT: PHOSPHOR BRONZE
- FINISH:**
 EMC CONTACT CONTACT AREA: 0.5um Au
 UNDER PLATING: 2.0um Ni
- SEE TA-946 FOR RECOMMENDED PCB LAYOUT.

mat'l. code		tolerances unless otherwise specified		CUSTOMER COPY		title	
lit	ecm no	dr	date	.X ± .3			BERG ELECTRONICS
A	V51405	RHG	11/9/95	XX ± .13			NARROW BODY FRONT
B	V60178	RHG	2/5/96	XXX ± .051			EJECT TYPE 123
				Ø ± Z			MECHANISM ASSEMBLY
							product family MCS
							size/dwg no 71245
							sheet 1 of 2
sheet	revision	B	B				
index	sheet	1	2				

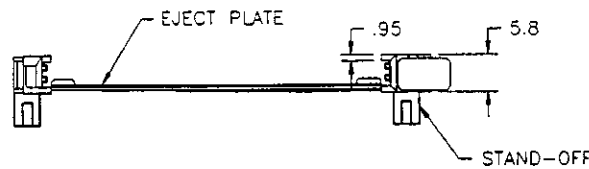
form no. 7530-001-103

PRODUCT NO.	DIM L	DIM S
71245-00CA	0	13
71245-02CA	2.2	
71245-04CA	4.3	
71245-05CA	5	



NOTES:

- EJECT PLATE TO MOVE ALONG INSIDE WALL OF COVER PLATE SMOOTHLY AFTER ASSEMBLING WITH HEADER.
- MATERIAL:
 PLASTIC GUIDES: POLYPHTHARAMIDE UL94V-0
 COLOR: BLACK
 COVER PLATE: STAINLESS STEEL
 EMI CONTACT: PHOSPHOR BRONZE
- FINISH:
 EMI CONTACT: CONTACT AREA: 0.5um Au
 UNDER PLATING: 2.0um Ni
- SEE TA-946 FOR RECOMMENDED PCB LAYOUT.



mat'l. code		tolerances unless otherwise specified		CUSTOMER COPY		BERG ELECTRONICS	
ltr	ecr no	dr	date	linear	X ± .3	projection	title NARROW BODY FRONT EJECT TYPE 123 MECHANISM ASSEMBLY
B					.XX ± .13	product family MCS code -	
				angles	.XXX ± .051		
				dr	R GRAPE 11/6/95	scale 1:1	sheet 2 of 2
				engr	D BRANN 11/6/95		
				chr	D BRANN 11/6/95		
				apcd	D BRANN 11/6/95		
sheet index	revision sheet						

cage code
22526